



Tech Master GPM4220 Series

4.5 Purity Two Stage Brass Barstock Piston Manual Change Gas Control Panel



The Tech Master GPM4220 Series two stage, single cylinder manual change control panels are designed for primary pressure gas control of non-corrosive or toxic, technical gases up to grade 4.5 purity (99.995%), on gas distribution systems where constant delivery pressure is required.

- **GPM4221** Series | Two Stage Single Cylinder Piston Manual Gas Change Control Panel, FKM Seal
- **GPM4222** Series | Two Stage Single Cylinder Piston Manual Gas Change Control Panel, EPDM Seal

★ FEATURES

- High pressure isolation valves
- Two stage pressure regulation
- Process line isolation valve
- Encapsulated valve design
- Single cylinder configuration

🔧 MATERIAL

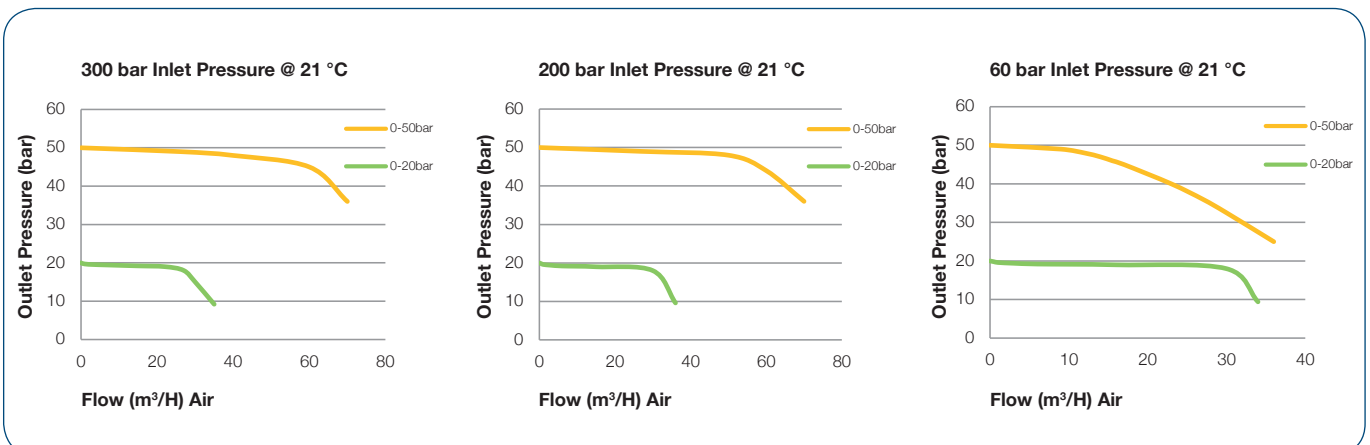
| | |
|---------------|--------------------------------|
| ■ Body | Brass Barstock |
| ■ Bonnet | Brass Barstock |
| ■ Piston | Brass |
| ■ Seal Option | FKM / EPDM |
| ■ Valve Seat | Polyamide (Nylon®) |
| ■ Filter | 10 Micron 316L Stainless Steel |

👍 SPECIFICATION

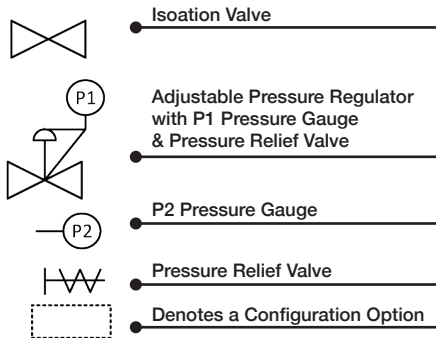
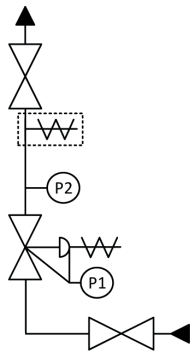
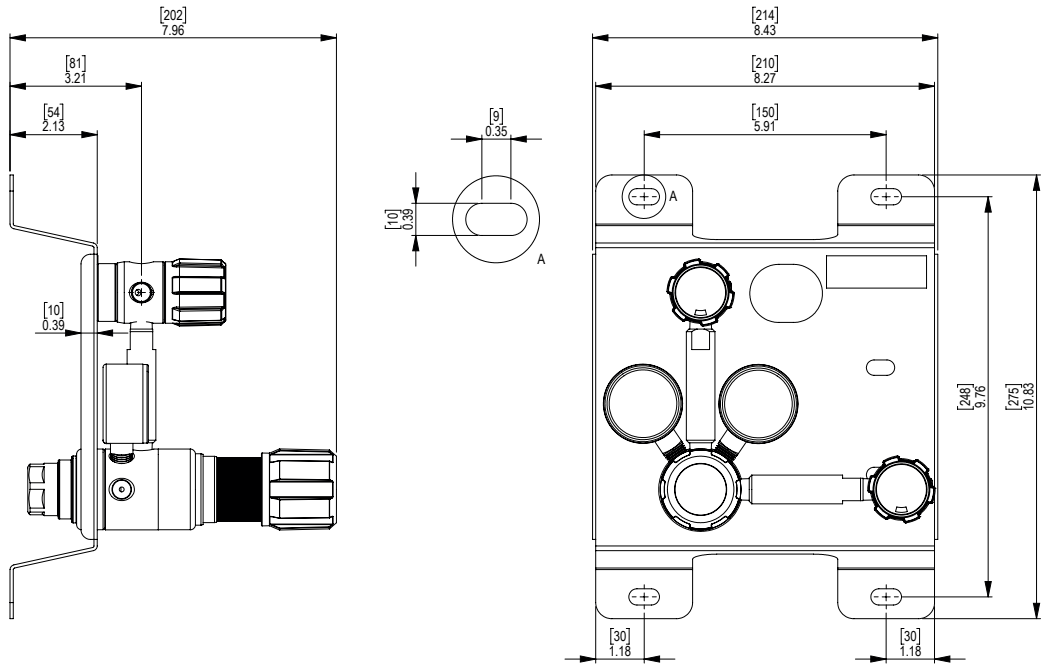
| | |
|---------------------------|--|
| ■ Maximum Inlet Pressure | 60 bar (870 PSI) 300 bar (4350 PSI) * |
| ■ Delivery Pressure Range | 20 bar (300 PSI) 50 bar (725 PSI) |
| ■ Gauges | 50mm (2") Diameter |
| ■ Ports | 1/4" NPT Inlet |
| ■ Temperature Range | -20° C to +60° C (-4° F to +140° F) |
| ■ Weight | 4.25 kg (9.4 lbs) **** |

* Subject to Cylinder Connection **** Subject to final configuration

✓ FLOW PERFORMANCE



DRAWINGS



MODEL NO. SELECTOR GUIDE

Example for a Model No. for GPM4220 Series

| Product Type | Inlet Pressure Bar [PSI] | Outlet Pressure Bar [PSI] | Inlet Pressure Gauge | Outlet Pressure Gauge | Inlet/Cylinder Connection | Outlet Connection | Options |
|--------------|--------------------------|---------------------------|--------------------------|-----------------------|-------------------------------------|------------------------------------|--|
| GPM4221- | 02- 60 [870] | 07- 0 to 20 [870] | 01- No Gauge Fitted | 01- No Gauge Fitted | 000- 1/4 NPT Female | 00- 1/4 NPT Female | A No Options Selected |
| GPM4222 | 04 300 [4350] | 10 0 to 50 [725] | 01 bar/PSI | 01 bar/PSI | 001 1/8 Stainless Steel Compression | 01 1/8 Stainless Steel Compression | F Bonnet Vent Capture Kit |
| | | | 02 bar/PSI Contact Gauge | | 002 1/4 Stainless Steel Compression | 02 1/4 Stainless Steel Compression | K Certificate of Conformity (CoC) |
| | | | | | 003 6mm Stainless Steel Compression | 03 6mm Stainless Steel Compression | M CO2 Burst Disc |
| | | | | | 004 1/4 NPT Male | 04 1/4 NPT Male | P Calibration/ Pressure Test Certificate |
| | | | | | 007 G3/8 BSP R/H Brass Male | 07 G3/8 BSP R/H Brass Male | R Fitted Pipeline Pressure Relief Valve |
| | | | | | 008 G3/8 BSP L/H Brass Male | 08 G3/8 BSP L/H Brass Male | T Fitted High Pressure Purge Facility, FKM Seal |
| | | | | | | | U Fitted High Pressure Purge Facility, EPDM Seal |
| | | | | | | | X Special Instruction |