



# Tech Master GPM4210 Series

4.5 Purity Single Stage Brass Barstock Piston Manual Change Gas Control Panel



The Tech Master GPM4210 Series single stage, single cylinder manual change control panels are designed for primary pressure gas control of non-corrosive or toxic, technical gases up to grade 4.5 purity (99.995%), on gas distribution systems where slight pressure variation is acceptable.

- **GPM4211** Series | Single Stage Single Cylinder Piston Manual Gas Change Control Panel, FKM Seal
- **GPM4212** Series | Single Stage Single Cylinder Piston Manual Gas Change Control Panel, EPDM Seal

## ★ FEATURES

- High pressure isolation valves
- Single stage pressure regulation
- Process line isolation valve
- Encapsulated valve design
- Single cylinder configuration

## 🔧 MATERIAL

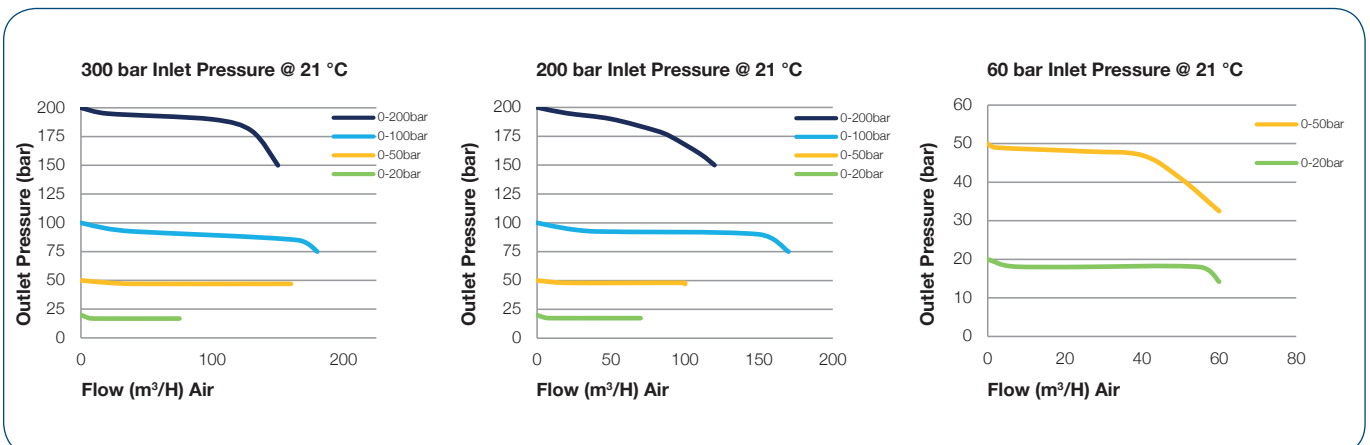
■ Body	Brass Barstock
■ Bonnet	Brass Barstock
■ Piston	Brass
■ Seal Option	FKM / EPDM
■ Valve Seat	Polyamide (Nylon®)
■ Filter	10 Micron 316L Stainless Steel

## 👍 SPECIFICATION

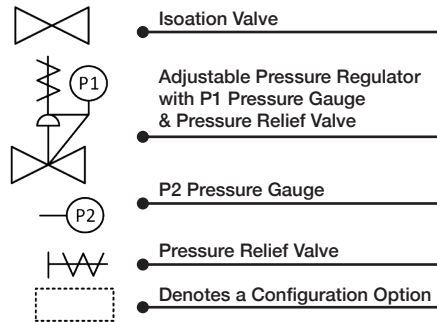
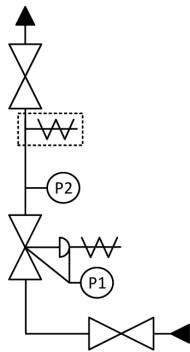
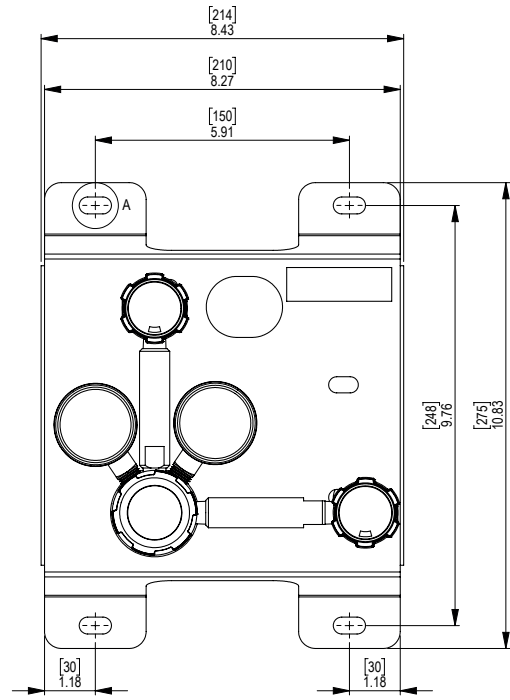
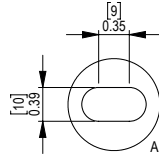
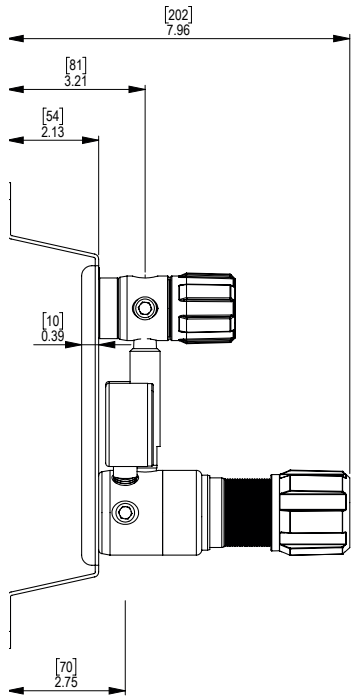
■ Maximum Inlet Pressure	60 bar (870 PSI) 300 bar (4350 PSI) *
■ Delivery Pressure Range	20 bar (300 PSI) 50 bar (725 PSI) 100 bar (1450 PSI) 200 bar (2900 PSI)
■ Gauges	50mm (2") Diameter
■ Ports	1/4" NPT Female
■ Temperature Range	-20° C to +60° C (-4° F to +140° F)
■ Weight	4.25 kg (9.4 lbs) ****

\* Subject to cylinder connection – \*\*\*\* Subject to final configuration

## ✓ FLOW PERFORMANCE



# DRAWINGS



## MODEL NO. SELECTOR GUIDE

Example for a Model No. for GPM4210 Series

GPM4211- 02- 07- 01- 01- 000- 00- A

Product Type	Inlet Pressure Bar [PSI]	Outlet Pressure Bar [PSI]	Inlet Pressure Gauge	Outlet Pressure Gauge	Inlet/Cylinder Connection	Outlet Connection	Options
GPM4211	02 60 [870]	07 0 to 20 [300]	00 No Gauge Fitted	00 No Gauge Fitted	000 1/4 NPT Female	00 1/4 NPT Female	A No Options Selected
GPM4212	04 300 [4350]	10 0 to 50 [725]	01 bar/PSI	01 bar/PSI	001 1/8 Stainless Steel Compression	01 1/8 Stainless Steel Compression	F Bonnet Vent Capture kit
		11 0 to 100 [1450]	02 bar/PSI Contact Gauge		002 1/4 Stainless Steel Compression	02 1/4 Stainless Steel Compression	K Certificate of Conformity
		12 0 to 200 [2900]			003 6mm Stainless Steel Compression	03 6mm Stainless Steel Compression	M CO2 Burst Disc
					004 1/4 NPT Male	04 1/4 NPT Male	P Calibration/ Pressure Test Certificate
					007 G3/8 BSP R/H Brass Male	07 G3/8 BSP R/H, Brass, Male	R Fitted Pipeline Pressure Relief Valve
					008 G3/8 BSP L/H Brass Male	08 G3/8 BSP L/H, Brass, Male	T Fitted High Pressure Purge Facility, FKM Seal
							U Fitted High Pressure Purge Facility, EPDM Seal
							X Special Instruction