



Tech Master GPD4240 Series

4.5 Purity Two Stage Brass Barstock Piston Differential Autochange Gas Control Panel



The Tech Master GPD4240 Series two stage differential autochange control panels are designed for primary pressure gas control of non-corrosive or toxic, technical gases up to grade 4.5 purity (99.995%), on gas distribution systems where constant delivery pressure is required.

- **GPD4241** Series | Two Stage Twin Cylinder Piston Differential Autochange Gas Control Panel, FKM Seal
- **GPD4242** Series | Two Stage Twin Cylinder Piston Differential Autochange Gas Control Panel, EPDM Seal

★ FEATURES

- High pressure isolation valves
- Two stage pressure regulation
- Process line isolation valve
- Encapsulated valve design
- Twin cylinder configuration

📁 MATERIAL

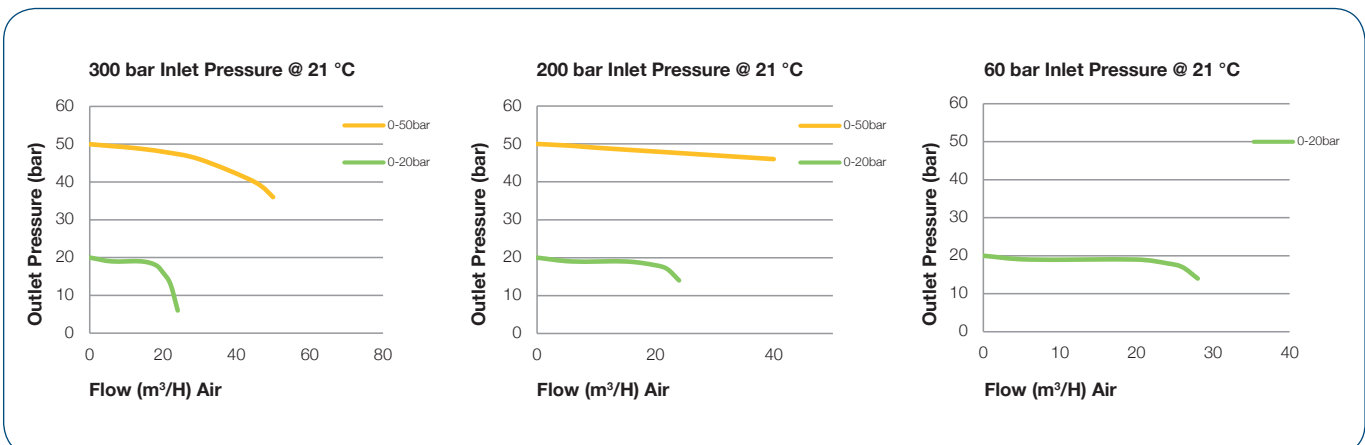
■ Body	Brass Barstock
■ Bonnet	Brass Barstock
■ Piston	Brass
■ Seal Option	FKM / EPDM
■ Valve Seat	Polyamide (Nylon®)
■ Filter	10 Micron 316L Stainless Steel

👍 SPECIFICATION

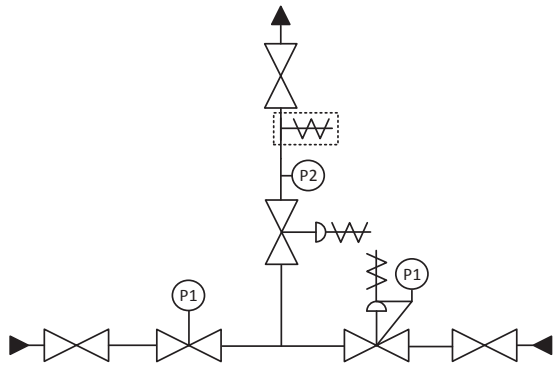
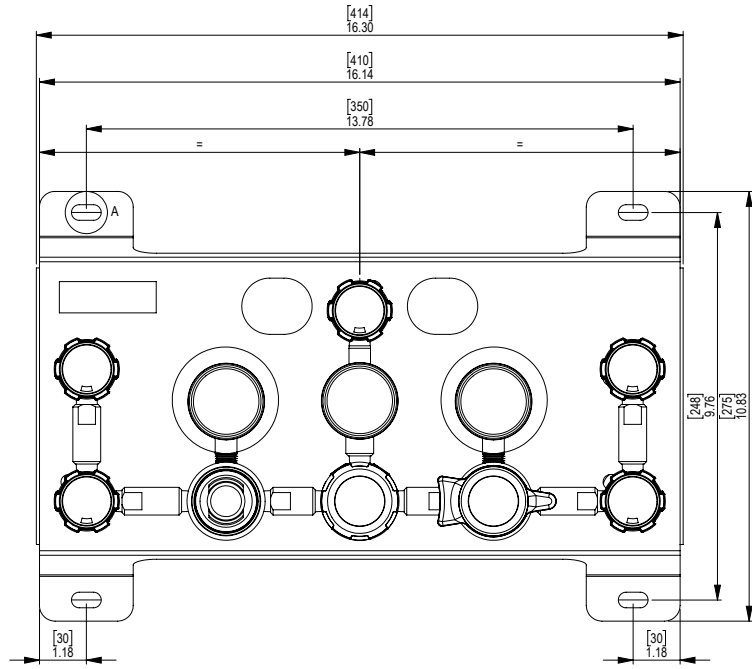
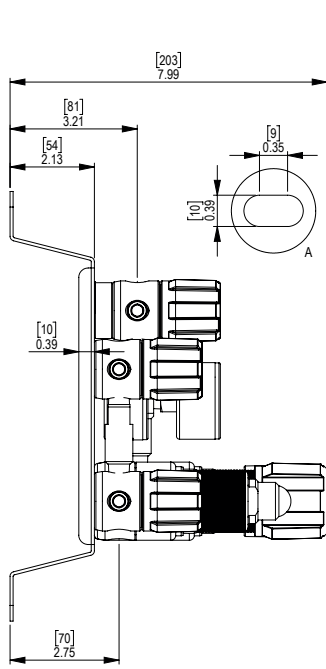
■ Maximum Inlet Pressure	60 bar (870 PSI) 300 bar (4350 PSI) *
■ Delivery Pressure Range	20 bar (300 PSI) 50 bar (725 PSI) 100 bar (1450 PSI)
■ Gauges	50mm (2") Diameter
■ Ports	1/4" NPT Inlet
■ Temperature Range	-20° C to +60° C (-4° F to +140° F)
■ Weight	8.00 kg (17.64 lbs) ****

* Subject to Cylinder Connection **** Subject to final configuration

✓ FLOW PERFORMANCE



DRAWINGS



- Isolation Valve
- Fixed Pressure Regulator with P1 Pressure Gauge
- Adjustable Pressure Regulator with P1 Pressure Gauge & Pressure Relief Valve
- Adjustable Pressure Regulator with Pressure Relief Valve
- P2 Pressure Gauge
- Pressure Relief Valve
- Denotes a Configuration Option

MODEL NO. SELECTOR GUIDE

Example for a Model No. for GPD4240 Series

Product Type	Inlet Pressure Bar [PSI]	Outlet Pressure Bar [PSI]	Inlet Pressure Gauge	Outlet Pressure Gauge	Inlet/Cylinder Connection	Outlet Connection	Options
GPD4241-	02 60 [870]	07 0 to 20 [300]	00 No Gauge Fitted	00 No Gauge Fitted	000 1/4 NPT Female	00 1/4 NPT Female	A No Options Selected
GPD4242	04 300 [4350]	10 0 to 50 [725]	01 bar/PSI	01 bar/PSI	001 1/8 Stainless Steel Compression	01 1/8 Stainless Steel Compression	F Bonnet Vent Capture Kit
		11 0 to 100 [1450]	02 bar/PSI Contact Gauge		002 1/4 Stainless Steel Compression	02 1/4 Stainless Steel Compression	M CO2 Burst Disc
					003 6mm Stainless Steel Compression	03 6mm Stainless Steel Compression	P Calibration/ Pressure Test Certificate
					004 1/4 NPT Male	04 1/4 NPT Male	R Fitted Pipeline Pressure Relief Valve
					007 G3/8 BSP R/H Brass Male	07 G3/8 BSP R/H Brass Male	T Fitted High Pressure Purge Facility, FKM Seal
					008 G3/8 BSP L/H Brass Male	08 G3/8 BSP L/H Brass Male	U Fitted High Pressure Purge Facility, EPDM Seal
							X Special Instruction