



# Spec Master HPM6210 Series

6.0 Purity Single Stage Nickel Plated Brass Barstock Piston  
Manual Change Gas Control Panel



The Spec Master HPM6210 Series single stage single cylinder manual change control panels are designed for primary pressure gas control of non-corrosive or toxic, high purity gases up to grade 6.0 purity (99.9999%), on gas distribution systems where slight pressure variation is acceptable.

- **HPM6211** Series | Single Stage Single Cylinder Piston Manual Gas Change Control Panel, FKM Seal
- **HPM6212** Series | Single Stage Single Cylinder Piston Manual Gas Change Control Panel, EPDM Seal

## ★ FEATURES

- High pressure isolation valves
- High pressure purge facility
- Single stage pressure regulation
- Process line isolation valve
- Encapsulated valve design
- Single cylinder configuration

## 🔧 MATERIAL

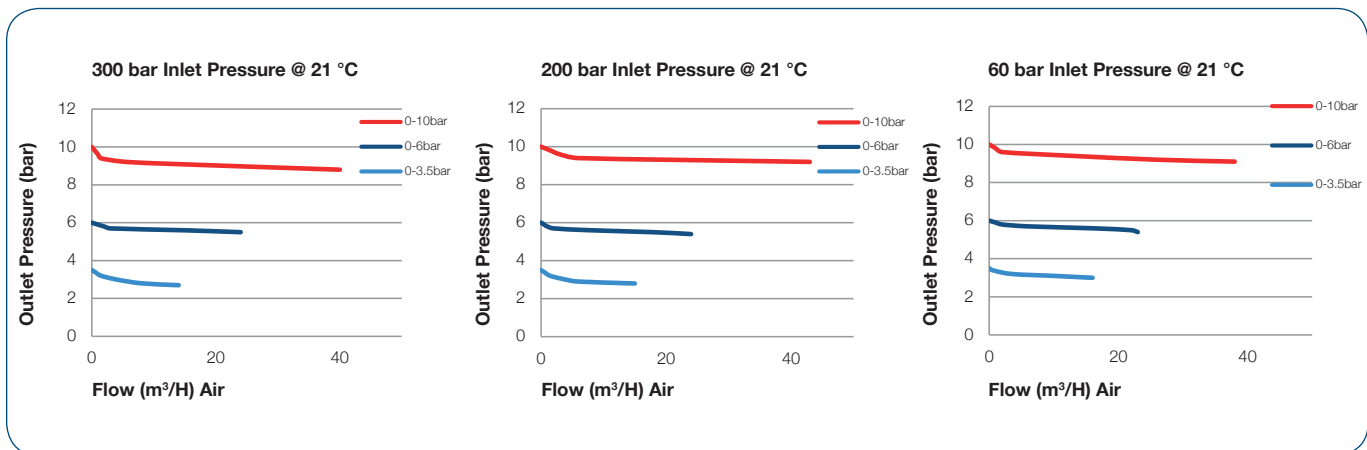
■ Body	Nickel Plated Brass Barstock
■ Bonnet	Nickel Plated Brass Barstock
■ Piston	Brass
■ Seal Option	FKM / EPDM
■ Valve Seat	PCTFE
■ Filter	10 Micron 316L Stainless Steel

## 👍 SPECIFICATION

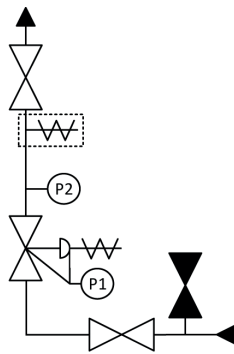
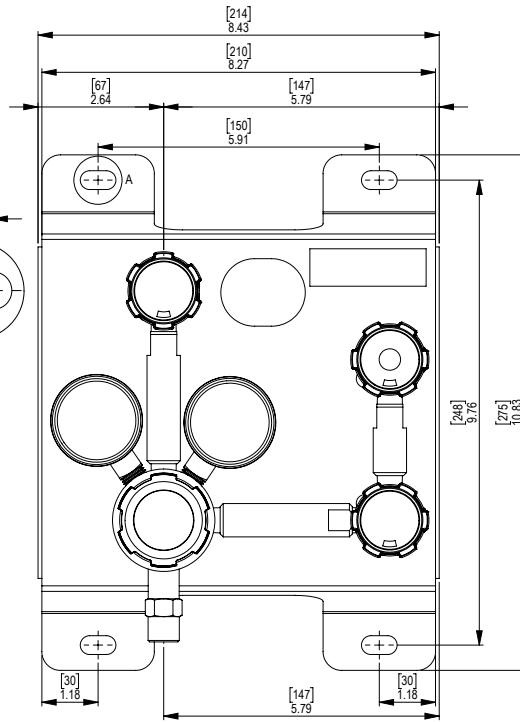
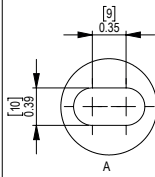
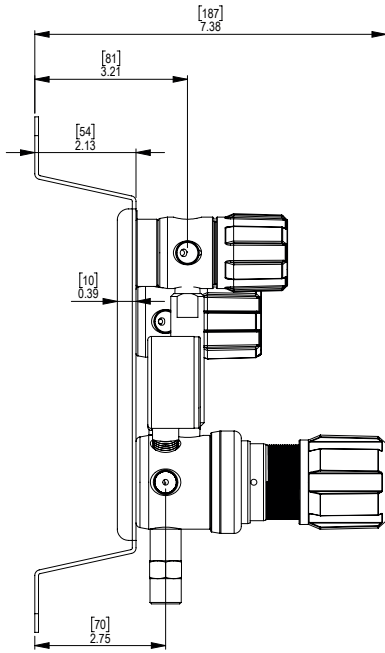
■ Maximum Inlet Pressure	60 bar (870 PSI) 300 bar (4350 PSI) *
■ Delivery Pressure Range	20 bar (300 PSI) 50 bar (725 PSI) 100 bar (1450 PSI) 200 bar (2900 PSI)
■ Gauges	50mm (2") Diameter
■ Ports	1/4" NPT Female
■ Temperature Range	-20° C to +60° C (-4° F to +140° F)
■ Helium Leak Integrity	1x10 <sup>-9</sup> mbar l/s
■ Weight	4.5 kg (9.9 lbs) ****







\* Subject to cylinder connection – \*\*\*\* Subject to final configuration

## ✓ FLOW PERFORMANCE



# DRAWINGS



-  Isoation Valve
-  Isoation Valve (Closed)
-  Adjustable Pressure Regulator with P1 Pressure Gauge
-  P2 Pressure Gauge
-  Pressure Relief Valve
-  Denotes a Configuration Option

## MODEL NO. SELECTOR GUIDE

Example for a Model No. for HPM6210 Series

HPM6211- 02- 07- 00- 00- 000- 00- A

Product Type	Inlet Pressure Bar [PSI]	Outlet Pressure Bar [PSI]	Inlet Pressure Gauge	Outlet Pressure Gauge	Inlet/Cylinder Connection	Outlet Connection	Options
HPM6211	02 60 [870]	07 0 to 20 [300]	00 No Gauge Fitted	00 No Gauge Fitted	000 1/4 NPT Female	00 1/4 NPT Female	A No Options Selected
HPM6212	04 300 [4350]	10 0 to 50 [725]	01 bar/PSI	01 bar/PSI	001 1/8 Stainless Steel Compression	01 1/8 Stainless Steel Compression	F Bonnet Vent Capture Kit
		11 0 to 100 [1450]	02 bar/PSI Contact Gauge		002 1/4 Stainless Steel Compression	02 1/4 Stainless Steel Compression	G Helium Test Certificate
		12 0 to 200 [2900]			003 6mm Stainless Steel Compression	03 6mm Stainless Steel Compression	K Certificate of Conformity
					004 1/4 NPT Male	04 1/4 NPT Male	M CO2 Burst Disc
					007 G3/8 BSP R/H Brass Male	07 G3/8 BSP R/H, Brass, Male	P Calibration/ Pressure Test Certificate
					008 G3/8 BSP L/H Brass Male	08 G3/8 BSP L/H, Brass, Male	R Fitted Pipeline Pressure Relief Valve
							X Special Instruction