



Unit 1 Courtwell Business Park
Farningham Road, Crowborough,
East Sussex, TN6 2JD
Tel: 01892 669939
E-mail: sales@ftipv.com

FTI COMPACT SERIES 1200 VARIABLE AREA FLOWMETER

The FTI Compact Series 1200 Flowmeter is used where space is of a premium. It is normally front of panel mounted, but can also be rear of panel mounted and supplied complete with bezel and mounting kit.

The FTI Series 1200 Flowmeter is produced in three standard lengths:-

1200 Long, which has a flow tube length of 295mm, is for use where high resolution scale accuracy is required.

1200 Standard, which has a flow tube length of 138mm, universal standard tube length.

1200 Compact, which has a flow tube length of 93mm, is for use where space is at a premium.

The Compact 1200 Series Flowmeter will give an instantaneous flow rate of virtually any process gas or liquid.

The Compact 1200 Series Flowmeter can be supplied with either nickel plated brass, anodised aluminium alloy, or stainless steel connections.

These can be supplied with straight through, or rear facing connections, with or without integral control valves.



COMPACT SERIES 1200 FEATURES

- * RANGE OF STANDARD FLOW RATES
- * VALVED OR NON-VALVED VERSIONS AVAILABLE
- * STRAIGHT THROUGH OR REAR FACING CONNECTIONS
- * BEZEL AND MOUNTING KIT AVAILABLE FOR ALL VERSIONS
- * FRICTIONLESS, HENCE LOW HEAD LOSS
- * ELEGANT AND ROBUST DESIGN
- * EASY TO READ SCALE
- * EASY IN-SITU TUBE REMOVAL AND RE-INSTALLATION
- * SUITABLE FOR FRONT OR REAR OF PANEL MOUNTING
- * POLYCARBONATE SAFETY COVER
- * STANDARD OR CUSTOMISED FLOW SCALES
- * ALARM POINT SIGNALS
- * INTRINSICALLY SAFE VERSION
- * DIRECT READING OF INSTANTANEOUS FLOW RATE
- * NICKEL PLATED BRASS, ANODISED ALUMINIUM AND STAINLESS STEEL CONNECTIONS
- * WIDE RANGE OF ACCESSORIES
- * MINIMAL MAINTENANCE
- * LONG SERVICE LIFE

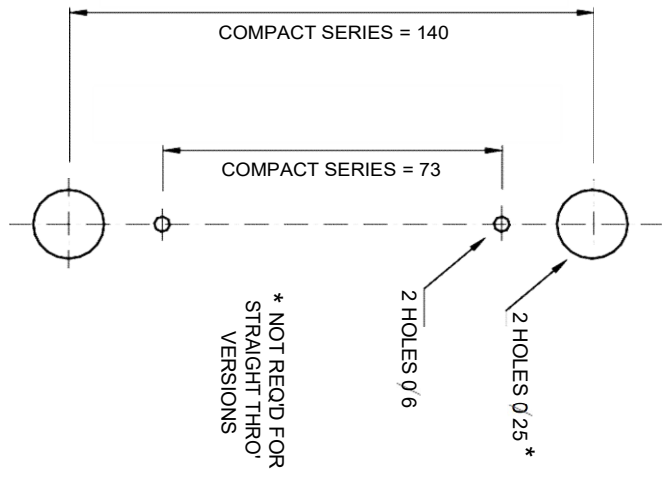
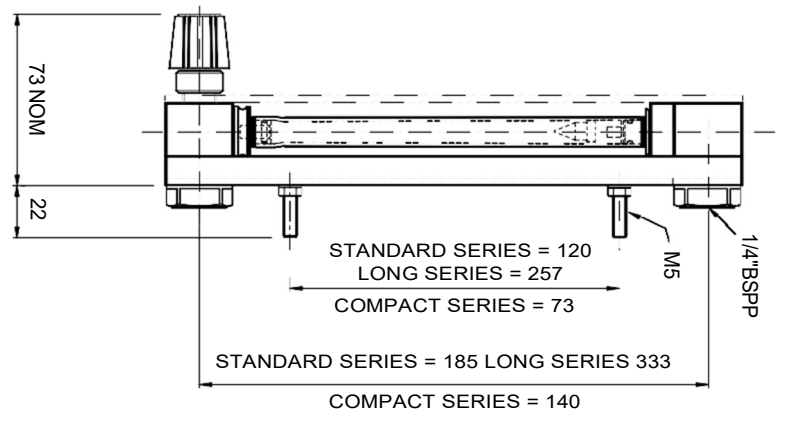
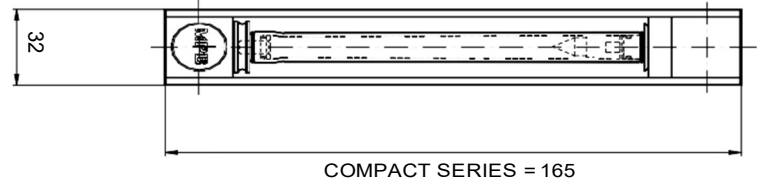
Chassis:	Anodised aluminium to BSEN12373/AA25	Plumb Bob Floats:	Hard anodised aluminium Stainless steel
End Blocks:	Ni plated brass Stainless steel Anodised aluminium alloy	Ball Floats:	Glass, Stainless steel, Ceramic, Ruby, Tungsten
Process Connections:	¼" BSPPF rear facing ¼" BSPPF straight through	Weight:	600 grams
Valve Stem:	Stainless steel	Maximum Working Pressure:	Gas: up to 20 bar g (non shock) Liquid: up to 20 bar g (non shock)
Cover:	Polycarbonate	Maximum Working Temperature:	60°C Nitrile 100°C Viton
Seals:	Nitrile or Viton		
Metering Tube:	Borosilicate glass 93mm long	Accuracy:	☐ 5% FSD predicted ☐ 2% FSD series calibrated

STANDARD RANGES

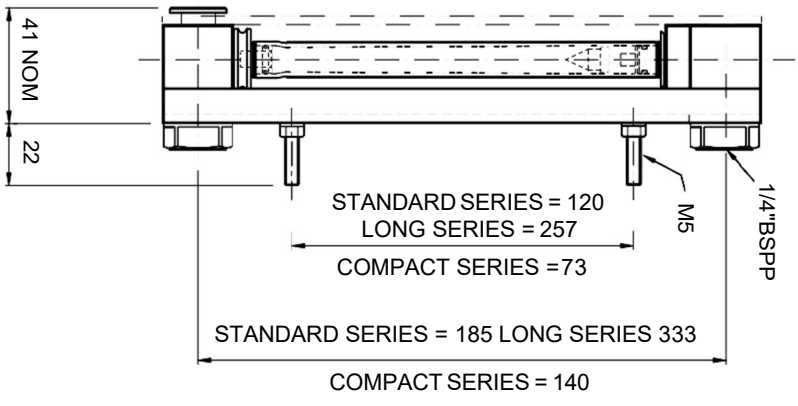
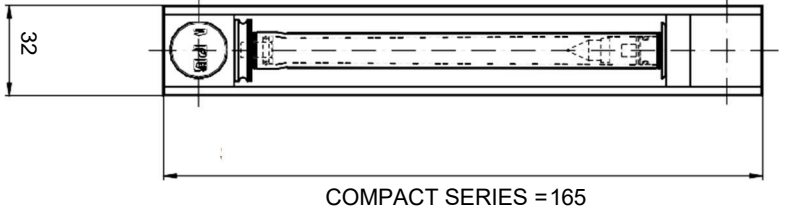
1200 COMPACT SERIES 93mm TUBE LENGTH	
AIR @ 1013 mbar abs 20°C	WATER @ 20°C
5 – 50 cc/min	–
10 – 100 cc/min	–
25 – 250 cc/min	5.0 – 50 cc/min
50 – 500 cc/min	10 – 100 cc/min
100 – 1000 cc/min	25 – 250 cc/min
0.25 – 2.5 L/min	50 – 500 cc/min
0.5 – 5 L/min	60 – 600 cc/min
1.0 – 10 L/min	100 – 1000 cc/min
2.5 – 25 L/min	
4.0 – 40 L/min	
10 – 100 L/min	
12 – 120 L/min	
15 – 150 L/min	

Customised flow ranges are also available. Please contact sales@ftipv.com for more information.

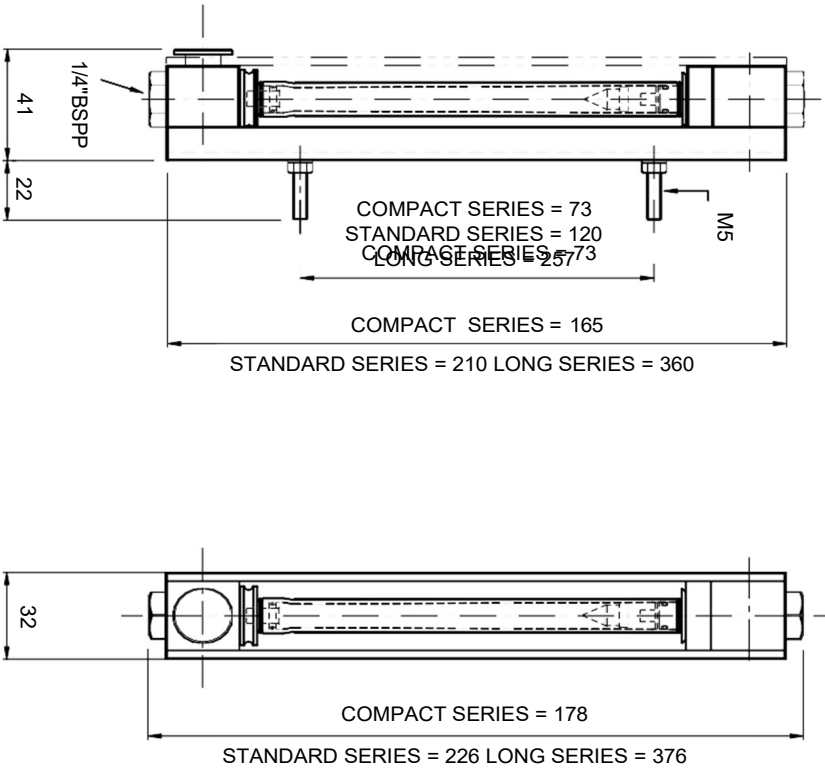
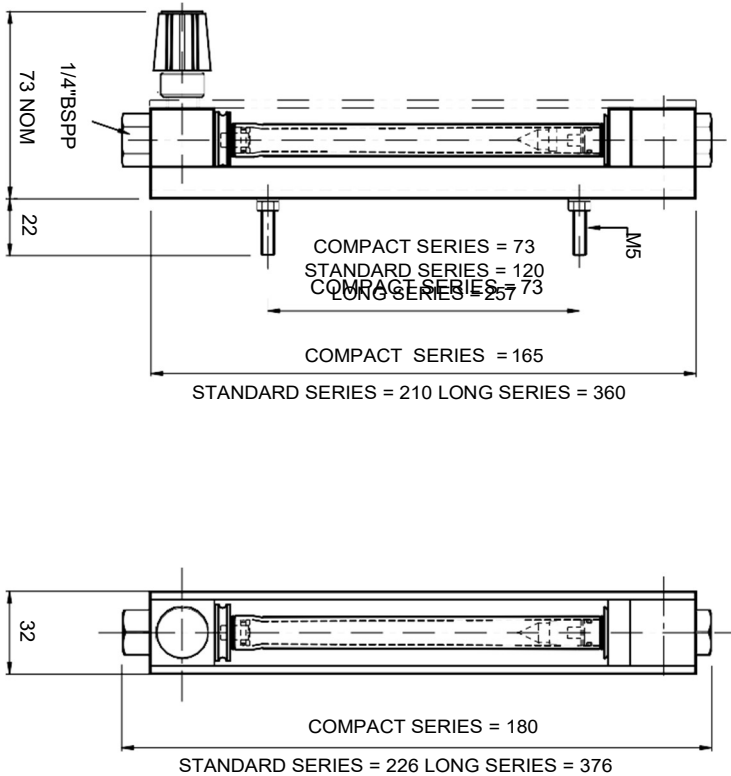
**COMPACT 1200 VARIABLE AREA FLOWMETER DIMENSIONS
REAR FACING VERSION**



1200 SERIES-REAR ENTRY
CUTOUT DETAIL



**COMPACT 1200 VARIABLE AREA FLOWMETER DIMENSIONS
STRAIGHT THROUGH VERSION**



Due to the constant development and improvement of products, information may be altered or withdrawn without notice.