

HYBRID
AIR OPERATED, MANUAL OVERRIDE
Metal Diaphragm Valves

Surface-mount models from the Ultra Clean Valve specifications are ready for SEMI PR3.1 1.125" C seal connections. These valves implement Cv0.27 for their compact designs.



PART NUMBER / DIMENSIONS

Part Number/ep	Size	End Connection	A		B		C		D		E		F		G		H		J	
			in	mm	in	mm	in	mm	in	mm	in	mm	in	mm	in	mm	in	mm	in	mm
3LNS4C-CM2-HB	1/4"	1.125"	0.89	22.8	4.4	111.0	0.25	6.6	1.12	28.6	0.30	7.75	0.50	12.7	0.19	5	0.85	21.74	0.17	Ø4.4

SPECIFICATIONS

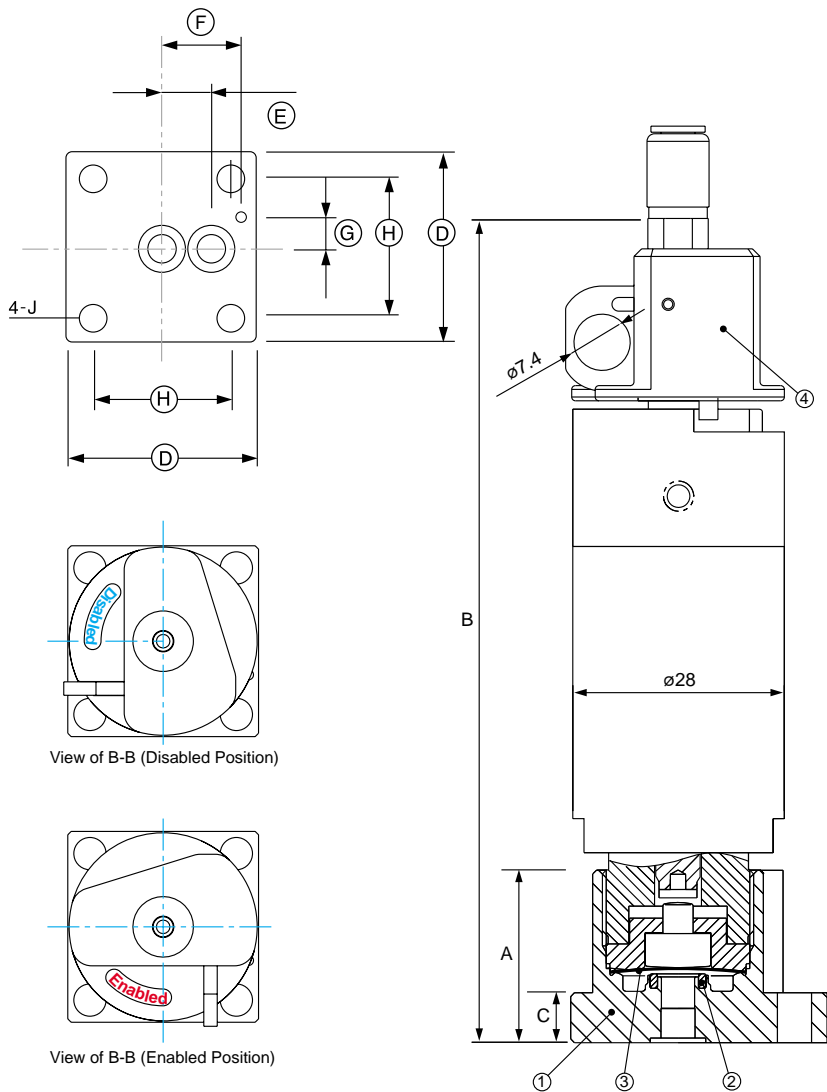
Size	Pressure	Temp.	Cv	Leak Rates	
				Inboard	Across Seat
1/4	1MPa (150 psi)	-10 80°C	0.3	3×10^{-12} Pa·m ³ /sec Helium	3×10^{-10} Pa·m ³ /sec Helium

STRUCTURE

Parts	Material
① Body	316L Stainless Steel
② Seat	PCTFE/PI (Vespel [®])
③ Diaphragm	Elgiloy
④ Handle/Act	Aluminum



* Photograph is for reference



ORDERING INFORMATION

2LNS-4C-CM2-HB

To make a safe choice when selecting your product, review the entire design of your system implementation to ensure safe, trouble-free system operations. Relevant system considerations should cover functionality, suitability of materials to specific applications and numeric data. Correct installation, handling and maintenance of valves is the responsibility of the systems designer and the user. Elgiloy, Vespel and PCTFE are trade marks.